

## Deep Drawer Storage System



# Deep Medical Drawer System

FPDGROUP <sup>Ltd</sup>

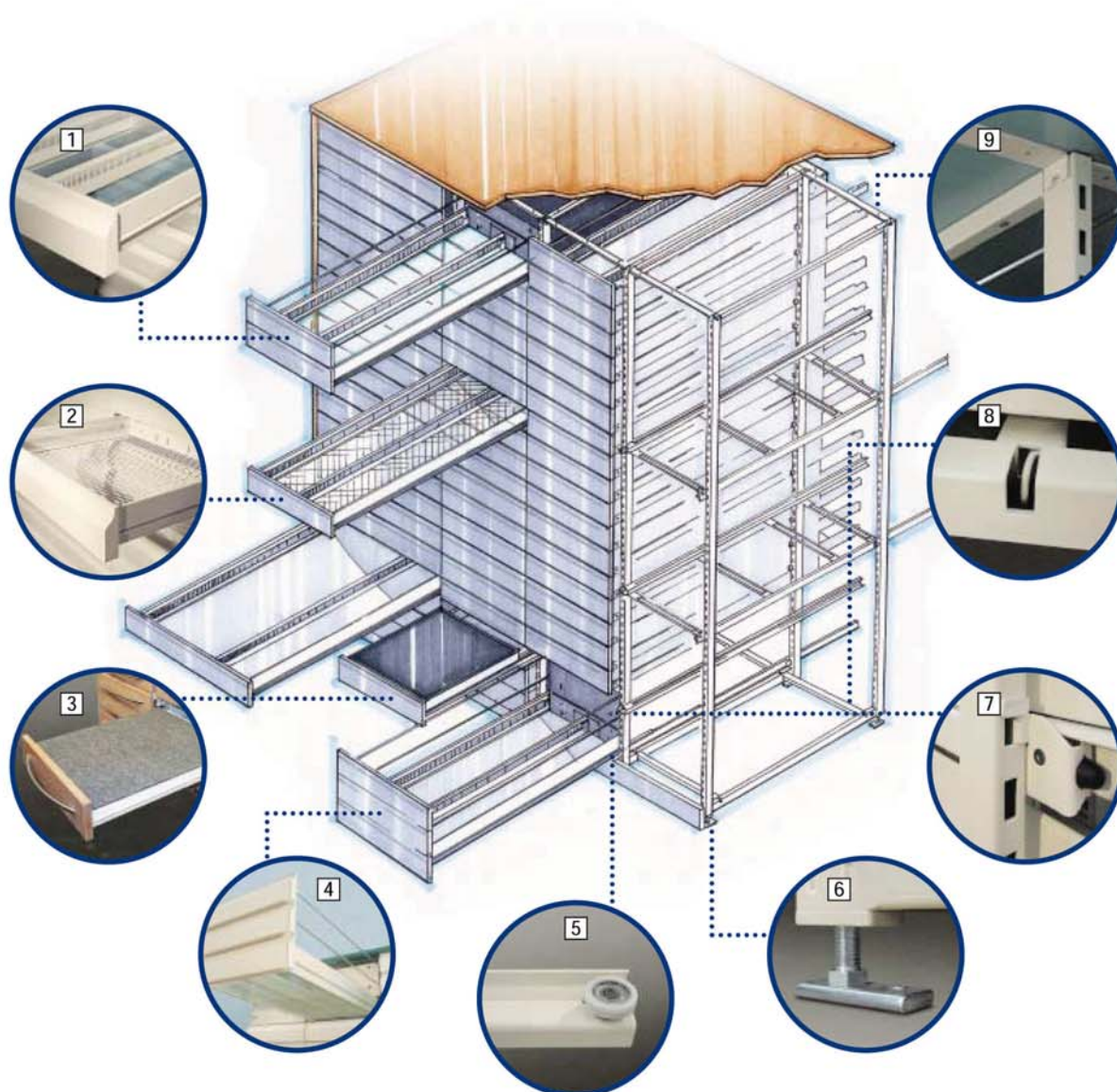
## Deep Drawer Components



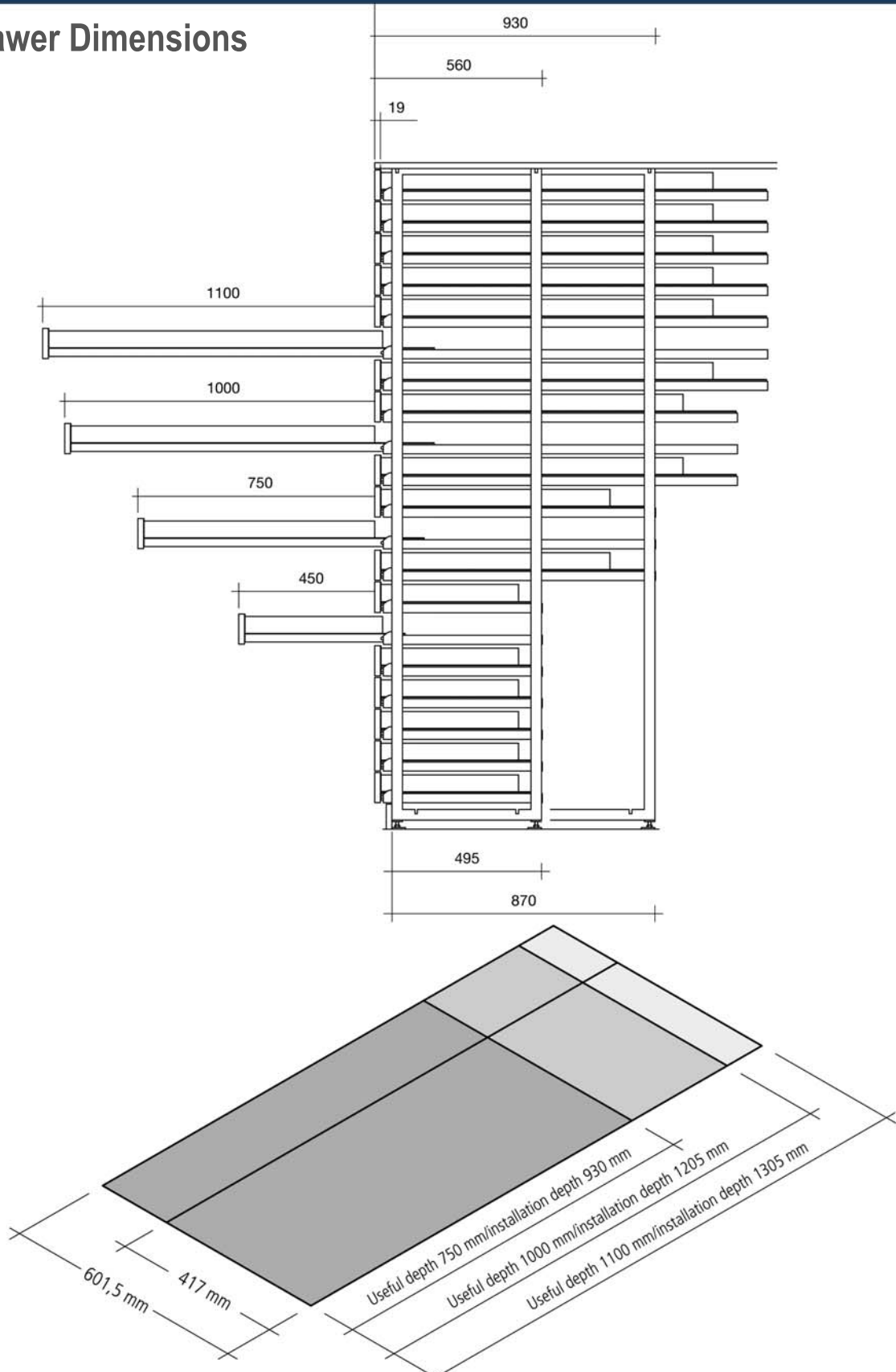
601.5mm Steel Formed Front  
Bolts into pre-drilled hole settings  
Choice of colours



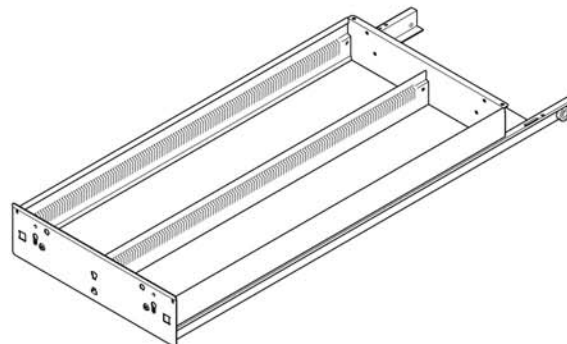
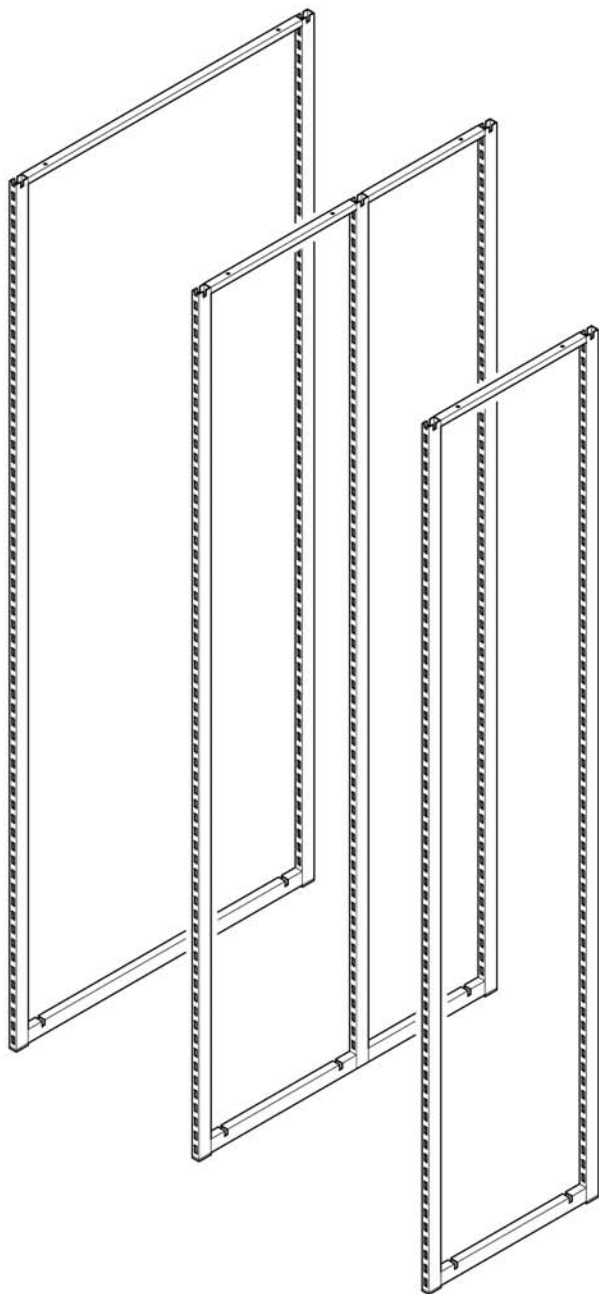
417mm Steel Formed Front  
Bolts into pre-drilled hole settings  
Choice of colours



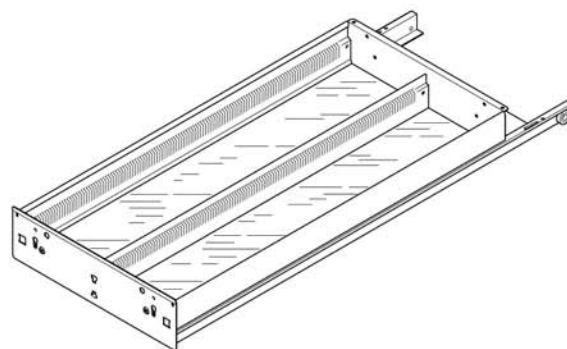
## Deep Drawer Dimensions



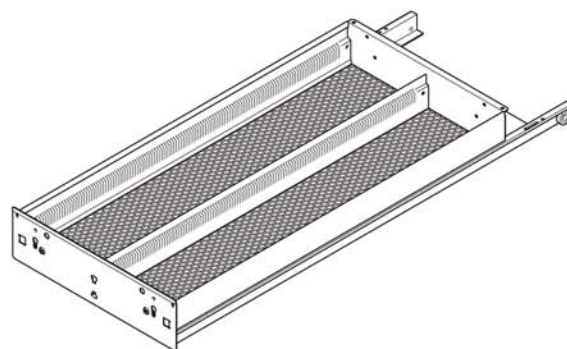
## Deep System Framework & Drawers



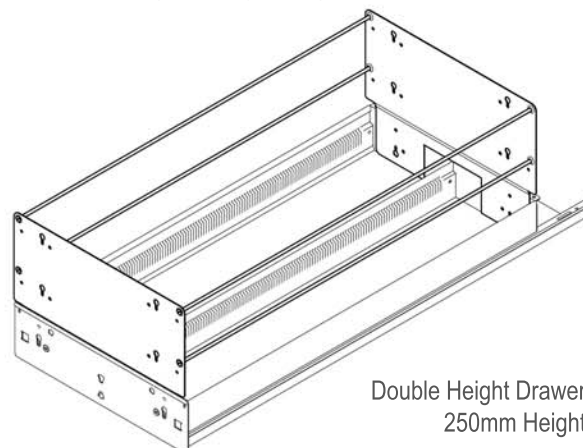
Metal Drawer Construction with Plastic Coated Timber Base



Metal Drawer Construction with Clear Acrylic Base



Metal Drawer Construction with Premium Metal Mesh Base  
Easier Cleaning, Visibility for High Level Drawers.



Double Height Drawer  
250mm Height

**Please note:**

Outer side frames are equipped with pre-drilled holes  $\text{\O} 4.5 \text{ mm}$  for the attachment of the wooden outer panelling.

## Four Bay Deep Drawer Example

### Drawers with Mesh Base

In the upper drawers of the system make it possible to view the contents from below. This makes it easier to access your medical supplies.

### Drawers with Wooden Base

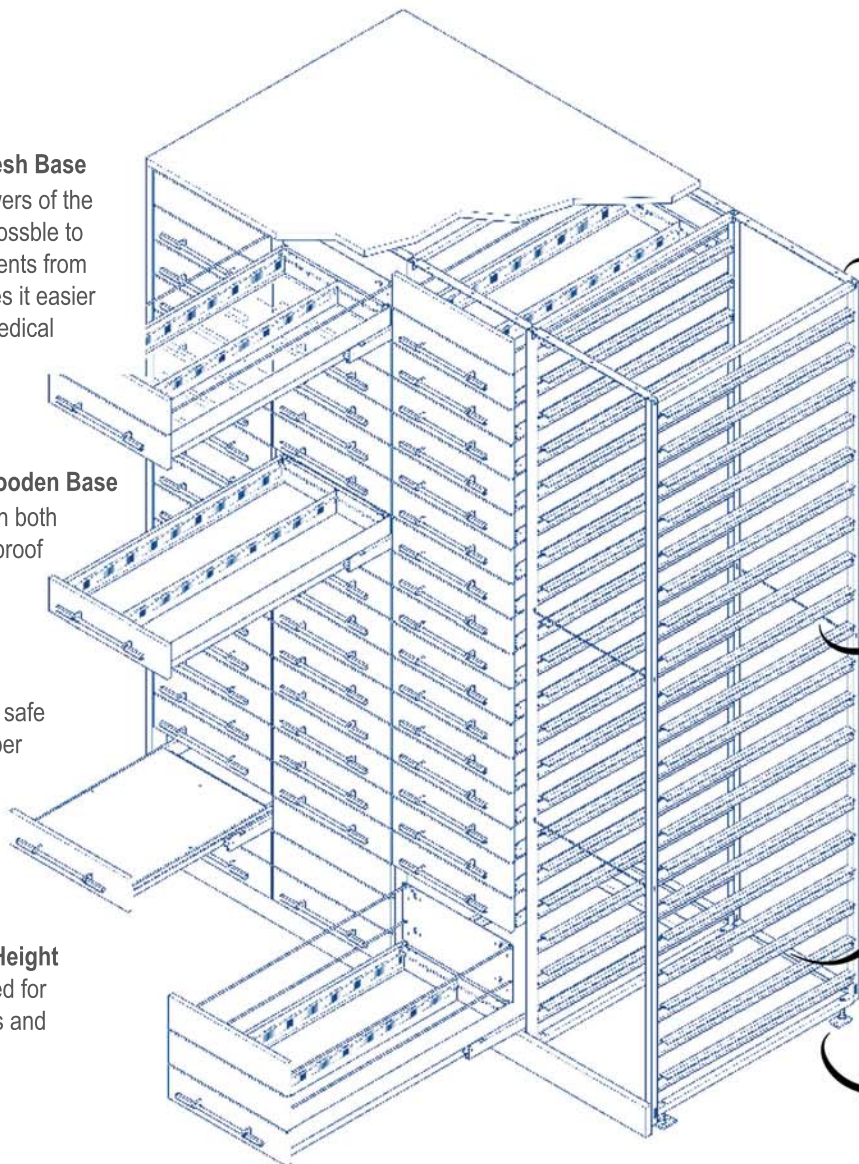
and foil coating on both sides are scratch-proof and stable

### Carriage Steps

provide easy and safe access to the upper drawer levels.

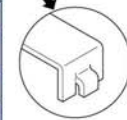
### Double Drawer Height

specially designed for larger packs, tubs and bottles etc.



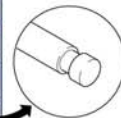
### Brace Bars

are simply pressed into the side frame



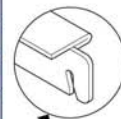
### Round Wire Braces

stabilise side frames



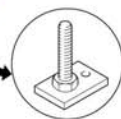
### T - Brace Bars

for stabilisation of the roller drawer system



### Levellers

balance out uneven floors and come equipped with pre-drilled holes





Ask About Our Design Services...

